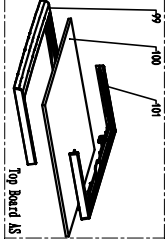
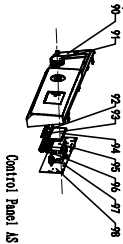
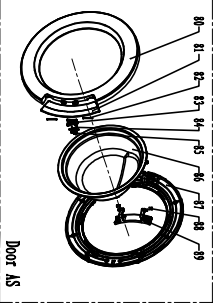
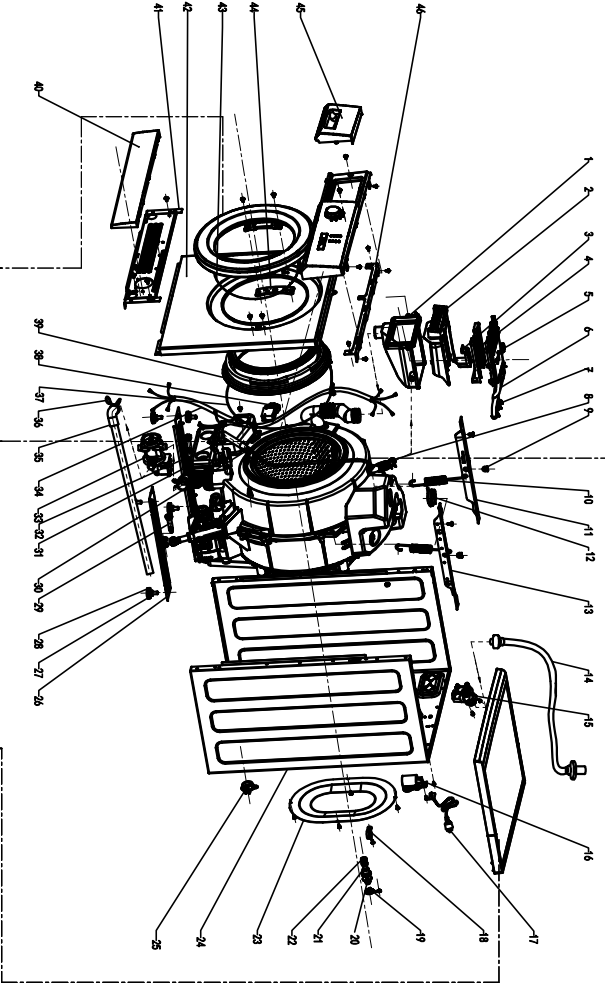
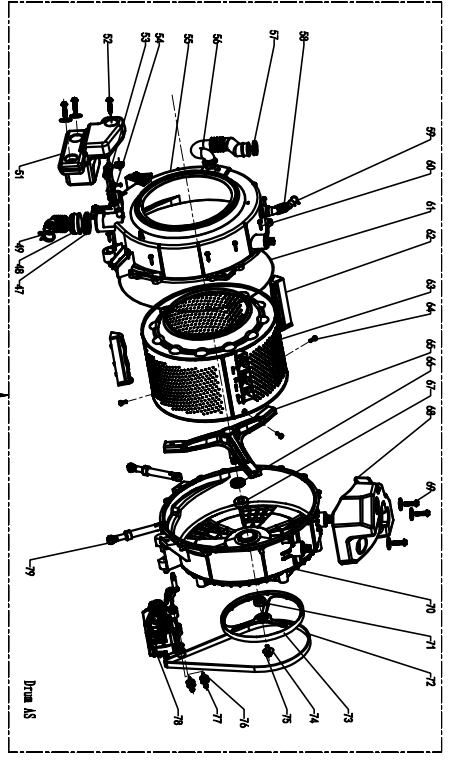


(C65) 0 XH09300E0X



No.	Code	Name	QTY	Material	No.	Code	Name	QTY	Material
112	XH09300E.2-3(885)	rear frame	1	HIPS	46	XH09300E.2-3(885)	inlet tube	1	EPDM
111	XH09300E.2-1(107)	top board	1	EMER 00400	55	XH09300E.2-1(107)	front tube	1	PP
110	XH09300E.2-3 (885)	Front Frame	1	HIPS	54	XH09300E.2-3 (885)	lower support	1	SS304
109	XH09300E.3-8(100)	pub	1	SS	53	XH09300E.3-8(100)	hanger	1	SS
108	XH09300E.3-8(100)	driveway support	1	MS	52	XH09300E.3-8(100)	lower ball 3	AS	
107	XH09300E.3-8(100)	button support	1	PMMA	51	XH09300E.3-8(100)	lower ball cover	1	Covered 10 mesh
106	XH09300E.3-8(100)	driveway	1	SS	50	XH09300E.3-8(100)	lower ball cover	1	Covered 10 mesh
105	XH09300E.3-8(100)	button 1	1	HIPS	49	XH09300E.3-8(100)	lower ball 3b	1	650h
104	XH09300E.3-8(100)	button 2	1	HIPS	48	XH09300E.3-8(100)	drift tube	1	EPDM
103	XH09300E.3-8(100)	control panel	1	HIPS	47	XH09300E.3-8(100)	lower clamp 7b	1	650h
102	XH09300E.3-8(100)	door hook	1	HIPS	46	XH09300E.3-8(100)	upper frame	1	SECC
101	XH09300E.3-8(100)	door hook	1	HIPS	45	XH09300E.3-8(100)	door	1	HIPS
100	XH09300E.3-8(100)	door hook	1	HIPS	44	XH09300E.3-8(100)	hinge support plate	1	SECC
99	XH09300E.3-8(100)	door hook	1	HIPS	43	XH09300E.3-8(100)	door door seal	1	650h
98	XH09300E.3-8(100)	door hook	1	HIPS	42	XH09300E.3-8(100)	front panel	1	SPD
97	XH09300E.3-8(100)	door hook	1	HIPS	41	XH09300E.3-8(100)	lower frame	1	SPD
96	XH09300E.3-8(100)	door hook	1	HIPS	40	XH09300E.3-8(100)	lower panel	1	HIPS
95	XH09300E.3-8(100)	door hook	1	HIPS	39	XH09300E.3-8(100)	door seal	1	EPDM
94	XH09300E.3-8(100)	door hook	1	HIPS	38	XH09300E.3-8(100)	door lock	1	AS
93	XH09300E.3-8(100)	door hook	1	HIPS	37	XH09300E.3-8(100)	door seal	1	650h
92	XH09300E.3-8(100)	door hook	1	HIPS	36	XH09300E.3-8(100)	door seal	1	650h
91	XH09300E.3-8(100)	door hook	1	HIPS	35	XH09300E.3-8(100)	drift tube	1	EPDM
90	XH09300E.3-8(100)	door hook	1	HIPS	34	XH09300E.3-8(100)	drift tube	1	EPDM
89	XH09300E.3-8(100)	door hook	1	HIPS	33	XH09300E.3-8(100)	drift tube	1	AS
88	XH09300E.3-8(100)	door hook	1	HIPS	32	XH09300E.3-8(100)	drift tube	1	AS
87	XH09300E.3-8(100)	door hook	1	HIPS	31	XH09300E.3-8(100)	drift tube	1	EPDM
86	XH09300E.3-8(100)	door hook	1	HIPS	30	XH09300E.3-8(100)	drift tube	1	EPDM
85	XH09300E.3-8(100)	door hook	1	HIPS	29	XH09300E.3-8(100)	drift tube	1	EPDM
84	XH09300E.3-8(100)	door hook	1	HIPS	28	XH09300E.3-8(100)	drift tube	1	EPDM
83	XH09300E.3-8(100)	door hook	1	HIPS	27	XH09300E.3-8(100)	drift tube	1	EPDM
82	XH09300E.3-8(100)	door hook	1	HIPS	26	XH09300E.3-8(100)	drift tube	1	EPDM
81	XH09300E.3-8(100)	door hook	1	HIPS	25	XH09300E.3-8(100)	drift tube	1	EPDM
80	XH09300E.3-8(100)	door hook	1	HIPS	24	XH09300E.3-8(100)	drift tube	1	EPDM
79	XH09300E.3-8(100)	door hook	1	HIPS	23	XH09300E.3-8(100)	drift tube	1	EPDM
78	XH09300E.3-8(100)	door hook	1	HIPS	22	XH09300E.3-8(100)	drift tube	1	EPDM
77	XH09300E.3-8(100)	door hook	1	HIPS	21	XH09300E.3-8(100)	drift tube	1	EPDM
76	XH09300E.3-8(100)	door hook	1	HIPS	20	XH09300E.3-8(100)	drift tube	1	EPDM
75	XH09300E.3-8(100)	door hook	1	HIPS	19	XH09300E.3-8(100)	drift tube	1	EPDM
74	XH09300E.3-8(100)	door hook	1	HIPS	18	XH09300E.3-8(100)	drift tube	1	EPDM
73	XH09300E.3-8(100)	door hook	1	HIPS	17	XH09300E.3-8(100)	drift tube	1	EPDM
72	XH09300E.3-8(100)	door hook	1	HIPS	16	XH09300E.3-8(100)	drift tube	1	EPDM
71	XH09300E.3-8(100)	door hook	1	HIPS	15	XH09300E.3-8(100)	drift tube	1	EPDM
70	XH09300E.3-8(100)	door hook	1	HIPS	14	XH09300E.3-8(100)	drift tube	1	EPDM
69	XH09300E.3-8(100)	door hook	1	HIPS	13	XH09300E.3-8(100)	drift tube	1	EPDM
68	XH09300E.3-8(100)	door hook	1	HIPS	12	XH09300E.3-8(100)	drift tube	1	EPDM
67	XH09300E.3-8(100)	door hook	1	HIPS	11	XH09300E.3-8(100)	drift tube	1	EPDM
66	XH09300E.3-8(100)	door hook	1	HIPS	10	XH09300E.3-8(100)	drift tube	1	EPDM
65	XH09300E.3-8(100)	door hook	1	HIPS	9	XH09300E.3-8(100)	drift tube	1	EPDM
64	XH09300E.3-8(100)	door hook	1	HIPS	8	XH09300E.3-8(100)	drift tube	1	EPDM
63	XH09300E.3-8(100)	door hook	1	HIPS	7	XH09300E.3-8(100)	drift tube	1	EPDM
62	XH09300E.3-8(100)	door hook	1	HIPS	6	XH09300E.3-8(100)	drift tube	1	EPDM
61	XH09300E.3-8(100)	door hook	1	HIPS	5	XH09300E.3-8(100)	drift tube	1	EPDM
60	XH09300E.3-8(100)	door hook	1	HIPS	4	XH09300E.3-8(100)	drift tube	1	EPDM
59	XH09300E.3-8(100)	door hook	1	HIPS	3	XH09300E.3-8(100)	drift tube	1	EPDM
58	XH09300E.3-8(100)	door hook	1	HIPS	2	XH09300E.3-8(100)	drift tube	1	EPDM
57	XH09300E.3-8(100)	door hook	1	HIPS	1	XH09300E.3-8(100)	drift tube	1	EPDM

Part No.	Part Name	Signature	Date
1	Design		
2	Check		
3	Approval		
4	Revision		

XH09300E.0 (993)			
Exploded View			
Unit	Quantity	Height	Scale
S	1	1	1:1
Material:			
中山格兰日用电器有限公司			

1 2 3 4 5 6 7 8

1 2 3 4 5 6 7 8

1 2 3 4 5 6 7 8